



ArrivScan *micro*

Temperature Sensing KIOSK

Introducing the Howard **ArrivScan *micro*** Temperature Sensing Kiosk

This Contactless Passive Detection Temperature-Sensing kiosk with facial recognition helps maintain a healthy environment for employees, customers, students, visitors, and the general public. This innovative gate-keeping solution can sense the temperature of anyone who passes through its sensors, allowing you to detect those with elevated temperatures. Designed for HR applications and ideal for businesses, schools and universities, restaurants, retailers, hospitals, clinics, and anywhere else you want to be proactive about avoiding the spread of infection.

Help safeguard your establishment from infection with kiosks from Howard Interactive

Kiosk Package

- 8in display
 - Camera
 - Speakers
- Stand
 - Powder-coated steel construction
 - Small footprint
 - 4" premium dual-wheel casters with two breaking casters
 - Casters can be removed and replaced with bumpers for a stationary kiosk
 - Includes a cord wrap and cable management box

Solution Features

- Contactless infrared temperature detection within $\pm 0.2^{\circ}\text{C}$ accuracy and 50°F to 107.6°F temperature range
- Rapid face recognition in less than one second using a 2MP binocular wide dynamic camera to perform accurate face recognition and comparison even when wearing a mask
- Large capacity storage holds up to 30,000 facial IDs for improved facility security
- **See additional solution features on reverse side**

Benefits

- Streamline facility gatekeeping
- Fast, visual and audible feedback
- Easy-to-clean surfaces

Specs

- Width: 20 in
- Depth: 20 in
- Height: 58.5 in
- Display: 8 in
- Weight: 41 lbs.

Experience the Howard Interactive Kiosk Advantage today!

HOWARD[™]
LIGHTING PRODUCTS
a Division of Howard Industries, Inc.

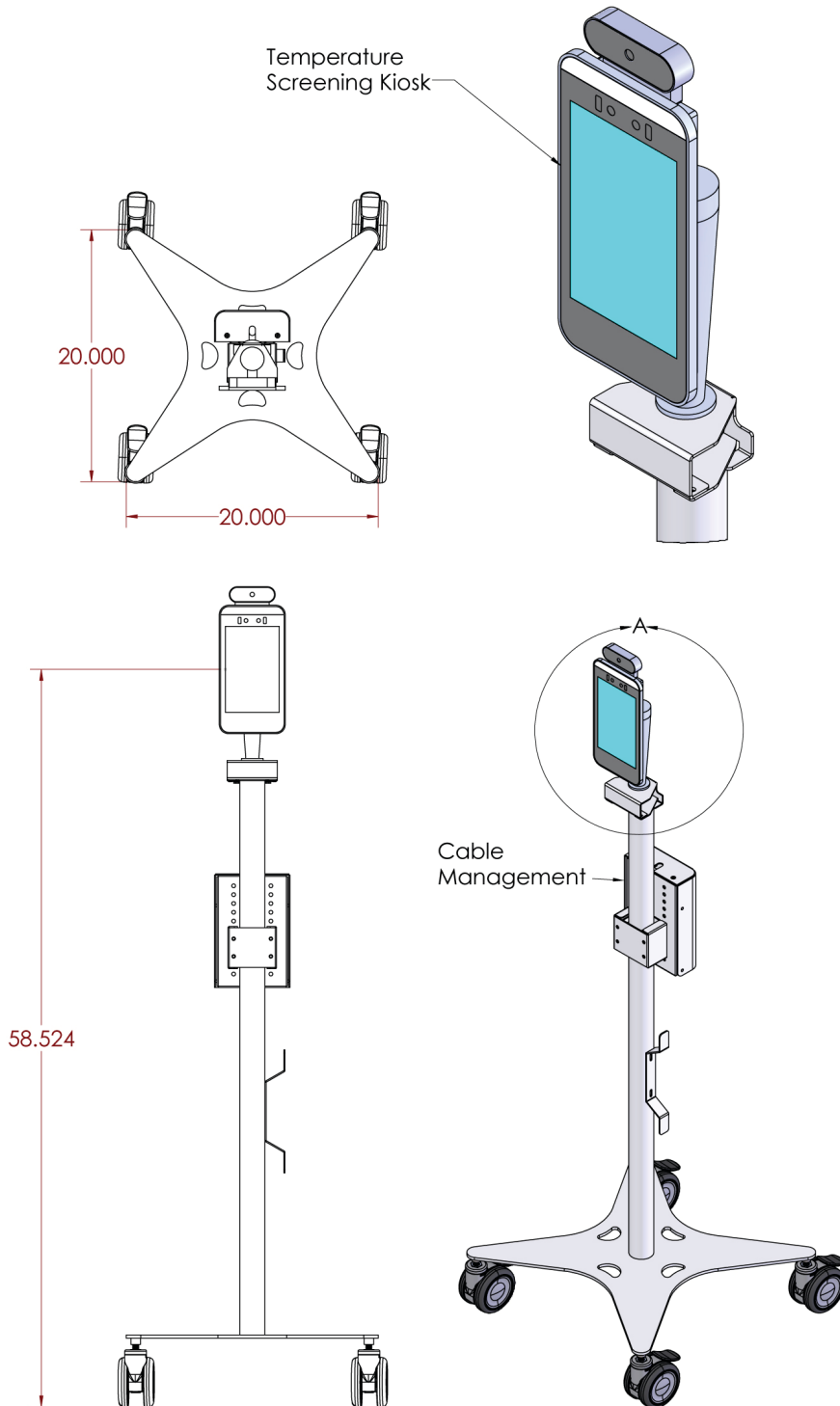


HOWARD
INTERACTIVE

howard-lighting.com |

Howard ArrivScan micro Kiosk-Dimensions & Additional Features

Solution Features (cont.)



- 8 inch 800 x 1280 screen (Non-Touch)
- Field of view suitable to capture temperatures from a wide range of user heights
- Screen angle is adjustable
- Customer Branding via Name and Logo displayed on screen
- LED Lightbar indicator for pass(green)/fail(red).
- Onscreen temperature and pass(green)/fail(red) messaging
- Verbal instructions to help the user get into correct position
- When user approaches, white LED lightbar activates to help illuminate image capture
- Verbal pass/fail notification
- Email alert to designated administrative address upon fail
- Audible Alarm upon fail (disabled by default)
- Weather resistant enclosure suitable for limited outdoor use (under shelter, avoid direct sunlight)
- Automatic temperature compensation algorithms for indoor or outdoor scenes
- Option to enable Facial Recognition features for employee recognition
- WiFi and Ethernet connectivity
- Local Network-based management software
 - Manage multiple units
 - Software Settings
 - Software updates
 - View and Export Logs
- No cloud connectivity - Information stays on the device unless connected to management server
- Android OS
- Customize device settings via USB mouse/ keyboard at device or via management software
- Password protection preventing software exit or unwanted settings changes